

cat. no. 204.02

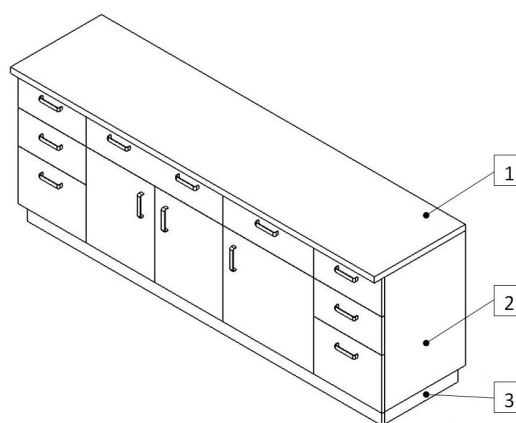
Bottom cabinets

## BOTTOM CABINETS



- The tables bottom cabinets (204.02) together with corner cabinets (204.03) and sink cabinets (204.01) form a group, which allows flexibility in setting up working space with storage space.
- Thus assembled table is intended to laboratories, clean rooms, pharmacies, schools and wherever required equipment which meets all the requirements for appearance, function and durability, as well as the criteria for compliance with standards and security.
- The table consists of worktop, cabinets and transitions of cabinets to the floor.
- Assemblies of the tables can be completed with metal construction and the panel of type LSK for mediums.
- Load capacity of the shelf 30 kg.
- Load capacity of the drawer 30 kg.

### Sample assembly



#### LEGENDA

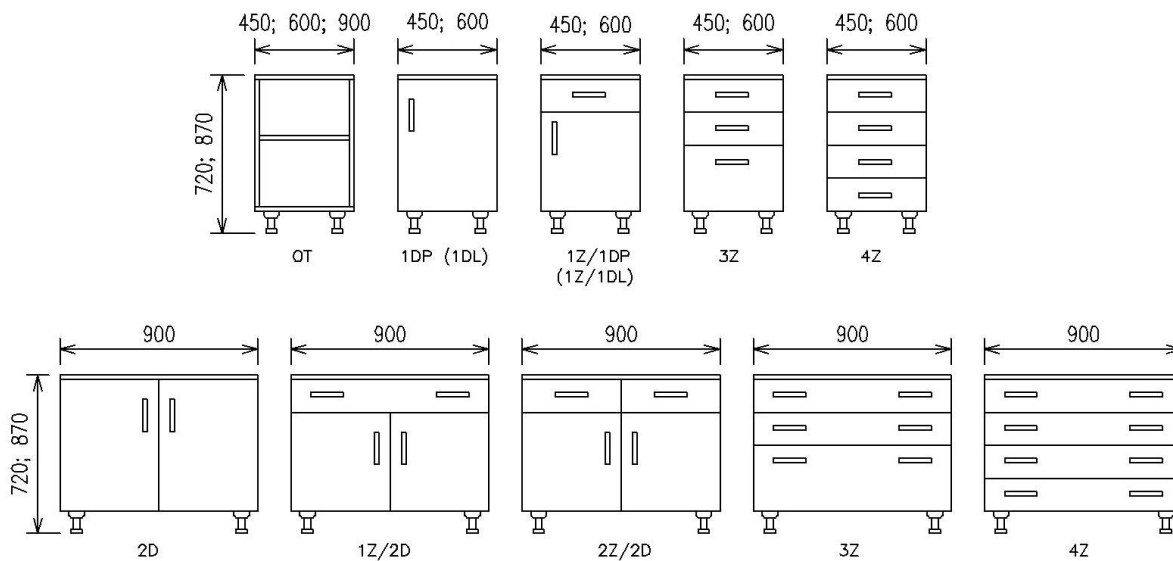
1 - Bottom cabinets for table assemblies,  
chapter 204.02

2 - Table desk, chapter 205.01

3 - Covering cabinets to the floor,  
chapter 204.04

## Variants of implementation:

- Standard depth of cabinets for assemblies is 550 mm



## MORE INFORMATION, PHOTOS



## TECHNICAL DATA

### Type designation

Cabinets for table assembly

### Material design

value	Material
Standard	The cabinet is made of molded laminated panels
Standard plus	Body is made of molded laminated panels, fronts are made of high pressure laminate of standard performance
Premium	Body and fronts are made of metal sheets with a chemically resistant coating

### Cabinet width

value	width
Cabinet width	450 mm
Cabinet width	600 mm
Cabinet width	900 mm

## Cabinet height C

value	height
Cabinet height	720 mm
Cabinet height	870 mm

The height of the cabinet shall be indicated including the height of the legs or base profile without table top.

## Cabinet design

Cabinet with left-hand door
Cabinet with right door
Cabinet with one drawer, one left-hand door
Cabinet with one drawer, one right-hand door
Cabinet with one drawer, double-door
Cabinet with double door
Cabinet with double-door and double drawers
Cabinet with three drawer
Cabinet with four drawer
Open cabinet

## Shelf material

stainless steel AISI304
metal sheet, komaxit hue RAL 9016
high press laminate
pressed laminated board
without shelf

The door cabinets are standard equipped with one shelf.

## Cabinet lock - for extra charge

Cabinet without lock
Central lock (for x drawers)
Simple lock (for doors and drawers)

## Transition between cabinet and floor

value	intended for
Basic leg with plinth. The height of 100 mm.	
Basic plastic front leg. The height of 100 mm.	
Basic aluminum leg. The height of 100 mm.	
The cabinet is formed on the basic profile. Height 50 mm.	
<b>The cabinet is formed on the basic legs and fitted with plinth. The height of 100 mm.</b>	

## Handle

Without handles - always for variant of OT cabinet
Standard handle circular with pitch of 128 mm
Standard handle oval with pitch of 128 mm

## Hardware

Without hardware - Specification for open cabinet
Standard
With damping and buffer - for extra charge

## Colour of corpus

Color of corpus is white
Color of corpus is grey

## Colour

The basic color for the material of the cabinets is STANDARD PLUS. Whole cabinet is in white colour.

The basic color for the material of the cabinets is STANDARD PLUS. Corpus white, gray fronts.

The basic color for the material of the cabinets is STANDARD PLUS. Corpus white, light blue fronts.

The basic color for the material of the cabinets is STANDARD PLUS. Corpus white, light green fronts.

The basic color for the material of the cabinets is STANDARD and PREMIUM . Whole cabinet is in white colour.

The basic color for the material of the cabinets is STANDARD and PREMIUM . Corpus white, gray fronts.

The basic color for the material of the cabinets is STANDARD and PREMIUM . Corpus white, blue fronts.

The basic color for the material of the cabinets is STANDARD and PREMIUM . Corpus white, green fronts.

The basic color for the material of the cabinets is STANDARD and PREMIUM . Corpus white, creamy-yellow fronts.

Other than the basic colour of cabinets. The combination of colours in accordance with codes, see chapter Design.

## Atypical execution

Typical execution

Atypical execution

Typical execution

0 - clear choice from the options

Atypical execution

Q - Atypical design, which can not be clearly identified by means of code