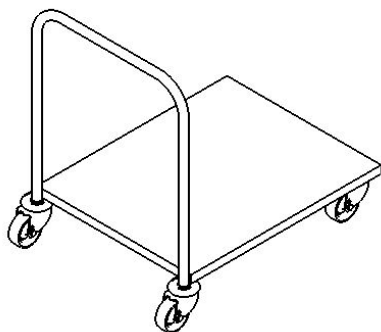


Forclean - Stainless steel equipment

MOBILE STAINLESS STEEL TABLES AND HANDLING CARTS

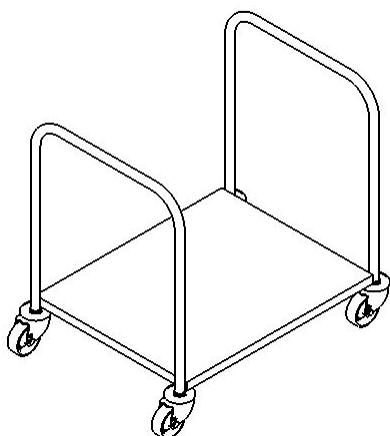


- Mobile stainless steel tables may have 1, 2 or 3 shelves, which may be solid or perforated.
- They have a load capacity of 50 kg/shelf. The tables are fitted with four casters, which are:

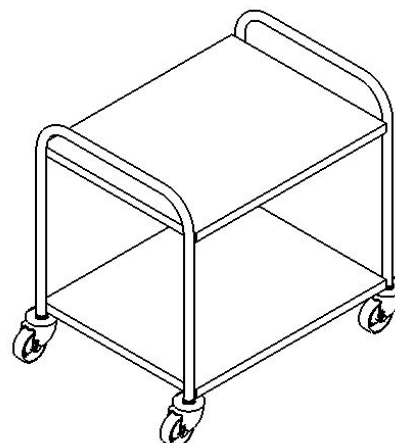
a) Swivel or fixed

b) Sliding or bearing-operated

c) with or without brake (all casters or just two of them may be braked)



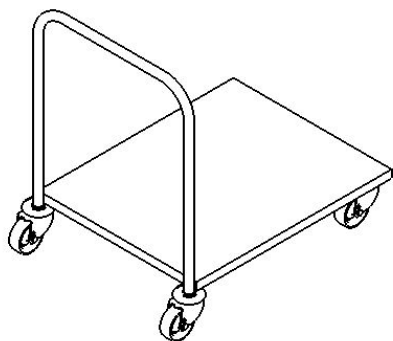
Mobile cart with one shelf



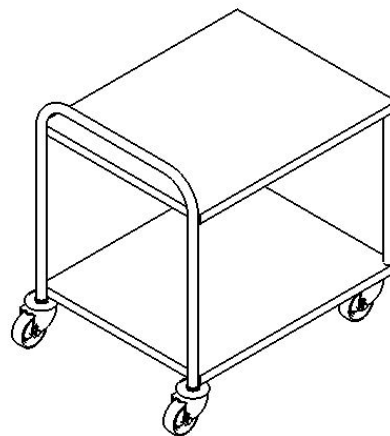
Mobile cart with two shelves

Forclean - Stainless steel equipment

MOBILE STAINLESS STEEL TABLES AND HANDLING CARTS



Handling cart with one shelf



Handling cart with two shelves

MOBILE STAINLESS STEEL TABLES AND HANDLING CARTS

S1: Mobile table or cart

215.07: Stainless steel cart

S2: Type

S3: Width

value	width
0600: Width (only mobile table)	600 mm
0700: Width (only mobile table)	700 mm
0800: Width (only mobile table)	800 mm
0900: Width (only handling cart)	900 mm
1000: Width (only handling cart)	1000 mm

S4: Depth

value	depth
0400: Depth (only mobile table)	400 mm
0500: Depth	500 mm
0600: Depth (only mobile table)	600 mm
0700: Depth (only handling cart)	700 mm
0800: Depth (only mobile table)	800 mm
0900: Depth (only handling cart)	900 mm
1100: Depth (only handling cart)	1100 mm

S5: Height

value	height
850: Height (only mobile table)	850 mm
900: Height (only handling cart)	900 mm

S6: Shelf type

S7: Number of shelves

- 1: Number of shelves
- 2: Number of shelves
- 3: Number of shelves (only handling cart)

S8: Type of casters

E: Type of casters

T: Type of casters

S9: Brake

2: Number of braked casters

4: Number of braked casters

MOBILE STAINLESS STEEL TABLES AND HANDLING CARTS

S10: Caster diameter

075: Caster diameter (mobile table)

100: Caster diameter (mobile table)

125: Caster diameter (handling cart)

S11: Conductivity

N: Non-conductive

V: Conductive for external areas

S12: Caster material

value	material
304: Caster material	Stainless steel AISI 304 FIN8

S13: Cart material

value	material
RALxxxx : Cart material	Steel class 11, hue RAL xxxx
304: Cart material	Stainless steel AISI 304 - SB
316: Cart material	Stainless steel AISI 316L - SB