

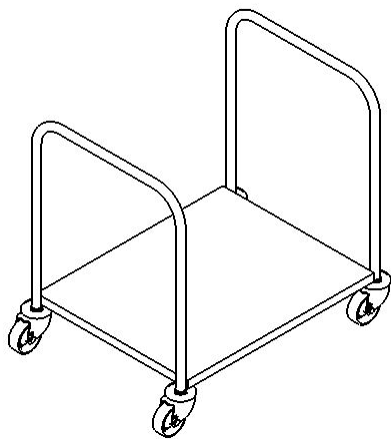
cat. no. 215.07

Carts

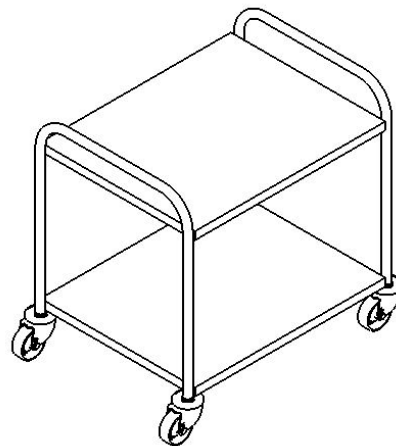
MOBILE STAINLESS STEEL TABLES



- We offer handling tables in the following material versions:
 - Stainless steel AISI 304 - for clean rooms
 - Stainless steel AISI 316 - for clean rooms
- Mobile stainless steel tables may have 1, 2 or 3 shelves, which may be:
 - with raised edge - perforated
 - solid
 - perforated
- Load capacity of shelf is 50 kg.
- Load capacity of table is 100 kg.



Mobile cart with one shelf



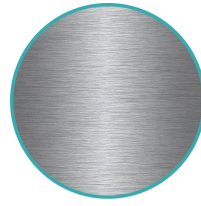
Mobile cart with two shelves



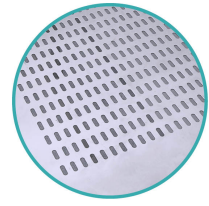
Easy to clean



Suitable for clean rooms
up to purity class B



Stainless steel - Surface
SB



Possibility of perforating
shelves

TECHNICAL DATA

Mobile table or cart

Stainless steel cart

Width

600 mm

700 mm

800 mm

900 mm

Depth

400 mm

500 mm

600 mm

800 mm

Height

850 mm

Shelf type

With raised edge

Smooth

Perforated

Number of shelves

Number of shelves

Number of shelves

Number of shelves

Caster diameter

Caster diameter 75 mm

Caster diameter 100 mm

Conductivity

Non-conductive

Conductive for external areas

Brake

Number of braked casters

Number of braked casters

Caster material

Stainless steel AISI304

Stainless steel AISI316

MORE INFORMATION, PHOTOS

