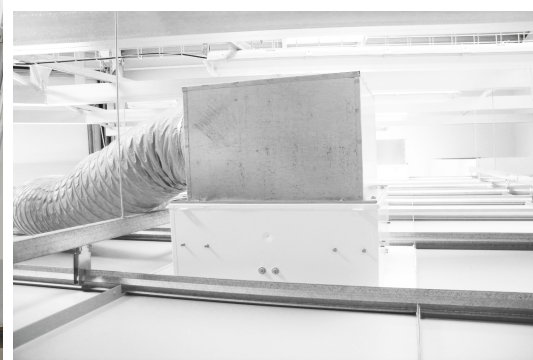


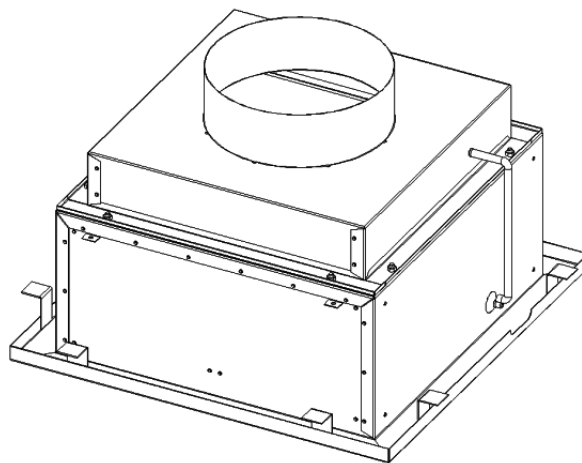
PUROFIL TERMINAL DIFFUSERS FOR PANELS



PUROFIL terminal diffusers are intended as an end filtration element in the air distribution system for environments with high demands for the purity of incoming air - such as operating theatres, sterilisation rooms, intensive care units, different areas in pharmaceutical industry, electrical engineering industry, mechanical engineering industry, food industry, etc.

Adapters are produced in several dimensions of facing, according to HEPA filter size.

To distribute incoming air, the adapters are fitted with a swirling vent-grille or a perforated element at the bottom.



MORE INFORMATION, PHOTOS



TECHNICAL DATA

Type of product

PUROFIL terminal diffusers for panels

Panel thickness

Panel thickness 60 mm or 62 mm

Panel thickness 80 mm or 82 mm

Panel thickness 100 mm or 102 mm

Panel thickness 120 mm or 122 mm

Other panel thickness in mm

Filter dimensions

Filter dimensions 305x305x117

Filter dimensions 457x457x117

Filter dimensions 570x570x117

filter dimension tolerance + 0 / -0.5 mm

Air intake

side with round neck

side with rectangular neck

upper with round neck

Size of inlet neck

rectangular neck 120x265, for transition Ø200

rectangular neck 120x417, for transition Ø250

rectangular neck 145x530, for transition Ø315

rectangular neck 80x265, for transition Ø160

rectangular neck 80x417, for transition Ø200

rectangular neck 95x530, for transition Ø250

round neck diameter 160

round neck diameter 200

round neck diameter 250

round neck diameter 315

Damper

Damper (for side round inlet only)

without damper

Transition piece

without transition

one-sided HVAC transition piece

Frame for covering cut out openings

No frame

Frame

Surface of the visible surfaces of the adapter

Stainless steel AISI 304 SB (cannot be used for section S10 Exhaust element for item AN)

thermosetting powder coat Komaxit, standard hue RAL 9016

thermosetting powder coat Komaxit, hue RAL

Atypical execution

Typical execution

Atypical execution

Typical execution

0 - clear choice from the options

Atypical execution

Q - Atypical design, which can not be clearly identified by means of code